

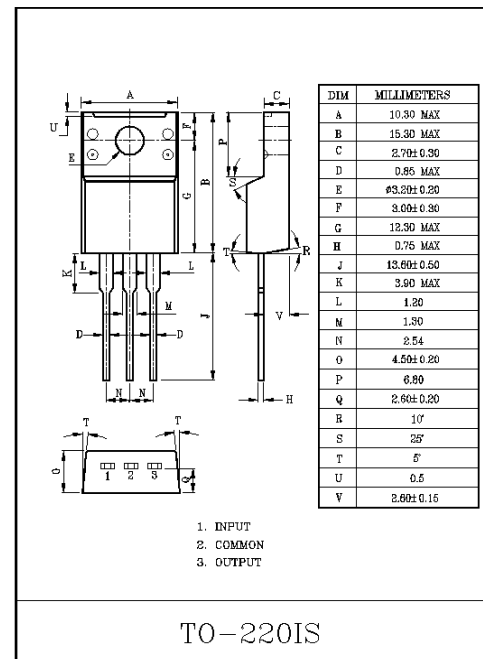
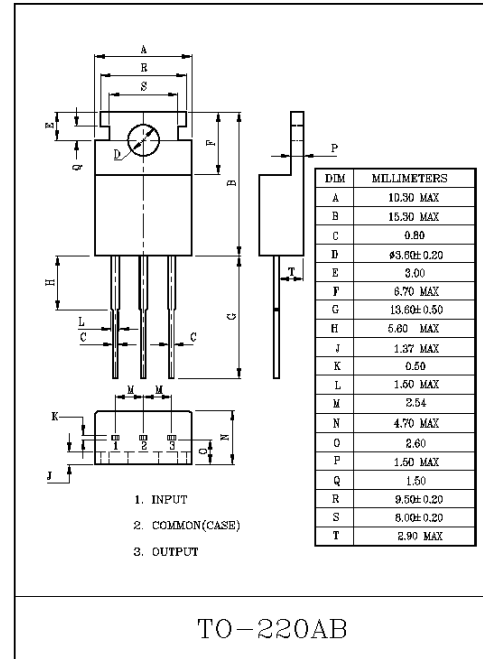
THREE TERMINAL POSITIVE VOLTAGE REGULATORS
5V, 6V, 8V, 9V, 10V, 12V, 15V, 18V, 20V, 24V.

FEATURES

- Suitable for C-MOS, TTL, the Other Digital IC's Power Supply.
- Internal Thermal Overload Protection.
- Internal Short Circuit Current Limiting.
- Output Current in Excess of 1A.
- Satisfies IEC-65 Specification. (International Electronical Commission).

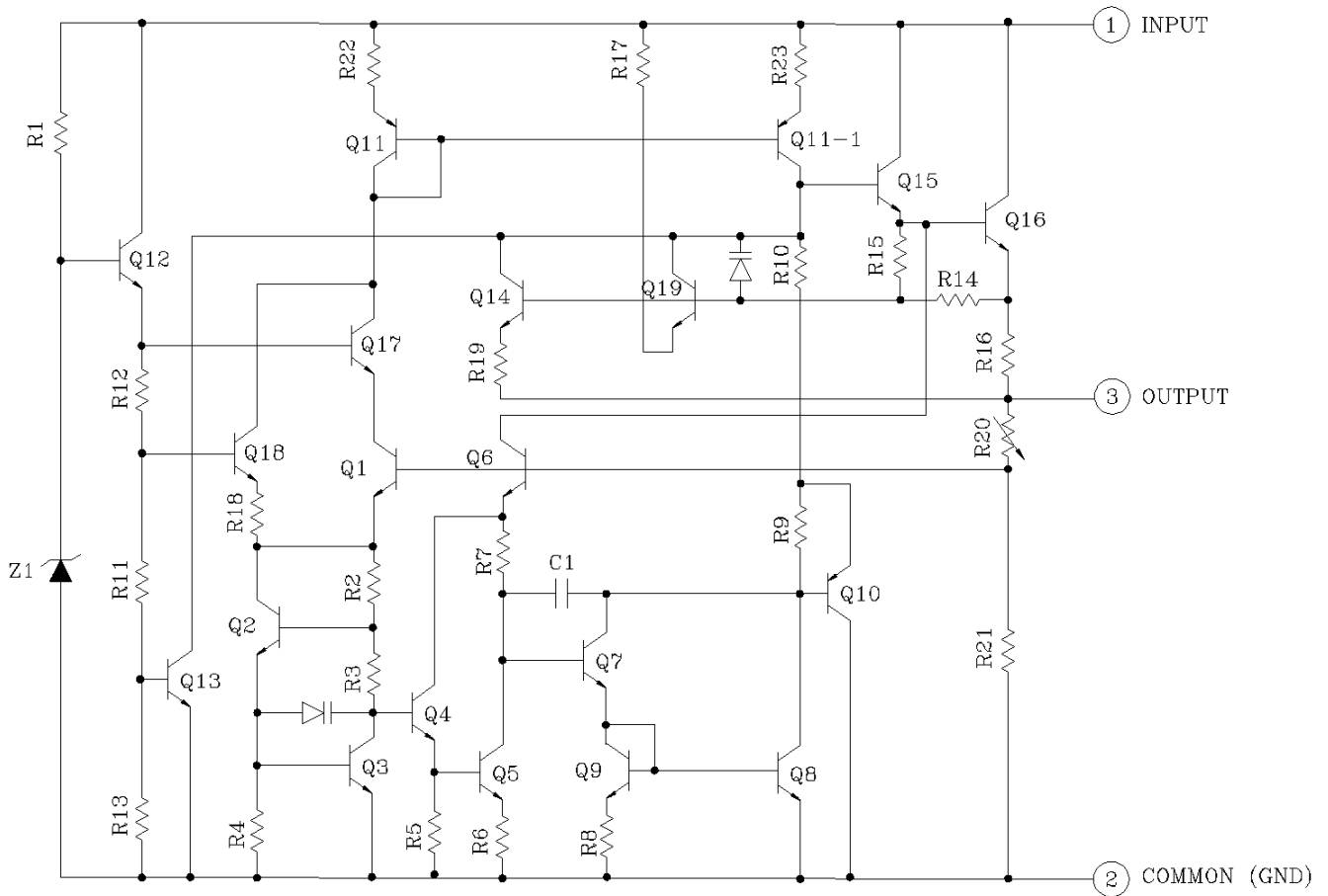
MAXIMUM RATINGS (Ta=25°C)

| CHARACTERISTIC | | SYMBOL | RATING | UNIT |
|--|---------------------------------|------------------|---------|------|
| Input Voltage | KIA7805AP/API~ KIA7815AP/API | V _{IN} | 35 | V |
| | KIA7818AP/API~ KIA7824AP/API | | 40 | |
| Power Dissipation (T _c =25°C) | | P _D | 20.8 | W |
| Power Dissipation (Without Heatsink) | KIA7805API~ KIA7824API | P _D | 2.0 | W |
| Operating Junction Temperature | | T _j | -30~150 | °C |
| Storage Temperature | | T _{stg} | -55~150 | °C |



KIA7805AP/API ~ KIA7824AP/API

EQUIVALENT CIRCUIT



KIA7805AP/API ~ KIA7824AP/API

KIA7805AP/API

ELECTRICAL CHARACTERISTICS ($V_{IN}=10V$, $I_{OUT}=500mA$, $0^{\circ}C \leq T_j \leq 125^{\circ}C$)

| CHARACTERISTIC | SYMBOL | TEST CIRCUIT | TEST CONDITION | MIN. | TYP. | MAX. | UNIT | |
|---|--------------|--------------|---|---------------------------------|------|------|-----------------|----|
| Output Voltage | V_{OUT} | 1 | $T_j=25^{\circ}C$, $I_{OUT}=100mA$ | 4.8 | 5.0 | 5.2 | V | |
| Input Regulation | Reg line | 1 | $T_j=25^{\circ}C$ | $7.0V \leq V_{IN} \leq 25V$ | - | 3 | 100 | mV |
| | | | | $8.0V \leq V_{IN} \leq 12V$ | - | 1 | 50 | |
| Load Regulation | Reg load | 1 | $T_j=25^{\circ}C$ | $5mA \leq I_{OUT} \leq 1.4A$ | - | 15 | 100 | mV |
| | | | | $250mA \leq I_{OUT} \leq 750mA$ | - | 5 | 50 | |
| Output Voltage | V_{OUT} | 1 | $7.0V \leq V_{IN} \leq 20V$ $5.0mA \leq I_{OUT} \leq 1.0A$, $P_o \leq 15W$ | 4.75 | - | 5.25 | V | |
| Quiescent Current | I_B | 1 | $T_j=25^{\circ}C$, $I_{OUT}=5mA$ | - | 4.2 | 8.0 | mA | |
| Quiescent Current Change | ΔI_B | 1 | $7.0V \leq V_{IN} \leq 25V$ | - | - | 1.3 | mA | |
| Output Noise Voltage | V_{NO} | 1 | $T_a=25^{\circ}C$, $10Hz \leq f \leq 100kHz$ $I_{OUT}=50mA$ | - | 50 | - | μV_{rms} | |
| Ripple Rejection Ratio | RR | 1 | $f=120Hz$, $8.0V \leq V_{IN} \leq 18V$, $I_{OUT}=50mA$, $T_j=25^{\circ}C$ | 62 | 78 | - | dB | |
| Dropout Voltage | V_D | 1 | $I_{OUT}=1.0A$, $T_j=25^{\circ}C$ | - | 2.0 | - | V | |
| Short Circuit Current Limit | I_{SC} | 1 | $T_j=25^{\circ}C$ | - | 1.6 | - | A | |
| Average Temperature Coefficient of Output Voltage | TC_{VO} | 1 | $I_{OUT}=5mA$, $0^{\circ}C \leq T_j \leq 125^{\circ}C$ | - | -0.6 | - | mV/ $^{\circ}C$ | |

KIA7805AP/API~KIA7824AP/API

KIA7806AP/API

ELECTRICAL CHARACTERISTICS ($V_{IN}=11V$, $I_{OUT}=500mA$, $0^{\circ}C \leq T_j \leq 125^{\circ}C$)

| CHARACTERISTIC | SYMBOL | TEST CIRCUIT | TEST CONDITION | MIN. | TYP. | MAX. | UNIT | |
|---|--------------|--------------|---|---------------------------------|------|------|-----------------|----|
| Output Voltage | V_{OUT} | 1 | $T_j=25^{\circ}C$, $I_{OUT}=100mA$ | 5.75 | 6.0 | 6.25 | V | |
| Input Regulation | Reg line | 1 | $T_j=25^{\circ}C$ | $8.0V \leq V_{IN} \leq 25V$ | - | 4 | 120 | mV |
| | | | | $9V \leq V_{IN} \leq 13V$ | - | 2 | 60 | |
| Load Regulation | Reg load | 1 | $T_j=25^{\circ}C$ | $5mA \leq I_{OUT} \leq 1.4A$ | - | 15 | 120 | mV |
| | | | | $250mA \leq I_{OUT} \leq 750mA$ | - | 5 | 60 | |
| Output Voltage | V_{OUT} | 1 | $8V \leq V_{IN} \leq 21V$ $5.0mA \leq I_{OUT} \leq 1.0A$, $P_o \leq 15W$ | 5.7 | - | 6.3 | V | |
| Quiescent Current | I_B | 1 | $T_j=25^{\circ}C$, $I_{OUT}=5mA$ | - | 4.3 | 8.0 | mA | |
| Quiescent Current Change | ΔI_B | 1 | $8V \leq V_{IN} \leq 25V$ | - | - | 1.3 | mA | |
| Output Noise Voltage | V_{NO} | 1 | $T_a=25^{\circ}C$, $10Hz \leq f \leq 100kHz$ $I_{OUT}=50mA$ | - | 55 | - | μV_{rms} | |
| Ripple Rejection Ratio | RR | 1 | $f=120Hz$, $9V \leq V_{IN} \leq 19V$, $I_{OUT}=50mA$, $T_j=25^{\circ}C$ | 61 | 77 | - | dB | |
| Dropout Voltage | V_D | 1 | $I_{OUT}=1.0A$, $T_j=25^{\circ}C$ | - | 2.0 | - | V | |
| Short Circuit Current Limit | I_{SC} | 1 | $T_j=25^{\circ}C$ | - | 1.5 | - | A | |
| Average Temperature Coefficient of Output Voltage | TC_{VO} | 1 | $I_{OUT}=5mA$, $0^{\circ}C \leq T_j \leq 125^{\circ}C$ | - | -0.7 | - | mV/ $^{\circ}C$ | |

KIA7805AP/API ~ KIA7824AP/API

KIA7808AP/API

ELECTRICAL CHARACTERISTICS ($V_{IN}=14V$, $I_{OUT}=500mA$, $0^{\circ}C \leq T_j \leq 125^{\circ}C$)

| CHARACTERISTIC | SYMBOL | TEST CIRCUIT | TEST CONDITION | MIN. | TYP. | MAX. | UNIT | |
|---|--------------|--------------|--|---------------------------------|------|------|-----------------|----|
| Output Voltage | V_{OUT} | 1 | $T_j=25^{\circ}C$, $I_{OUT}=100mA$ | 7.7 | 8.0 | 8.3 | V | |
| Input Regulation | Reg line | 1 | $T_j=25^{\circ}C$ | $10.5V \leq V_{IN} \leq 25V$ | - | 6 | 160 | mV |
| | | | | $11V \leq V_{IN} \leq 17V$ | - | 2 | 80 | |
| Load Regulation | Reg load | 1 | $T_j=25^{\circ}C$ | $5mA \leq I_{OUT} \leq 1.4A$ | - | 12 | 160 | mV |
| | | | | $250mA \leq I_{OUT} \leq 750mA$ | - | 4 | 80 | |
| Output Voltage | V_{OUT} | 1 | $10.5V \leq V_{IN} \leq 23V$ $5.0mA \leq I_{OUT} \leq 1.0A$, $P_o \leq 15W$ | 7.6 | - | 8.4 | V | |
| Quiescent Current | I_B | 1 | $T_j=25^{\circ}C$, $I_{OUT}=5mA$ | - | 4.3 | 8.0 | mA | |
| Quiescent Current Change | ΔI_B | 1 | $10.5V \leq V_{IN} \leq 25V$ | - | - | 1.0 | mA | |
| Output Noise Voltage | V_{NO} | 1 | $T_a=25^{\circ}C$, $10Hz \leq f \leq 100kHz$ $I_{OUT}=50mA$ | - | 70 | - | μV_{rms} | |
| Ripple Rejection Ratio | RR | 1 | $f=120Hz$, $11.5V \leq V_{IN} \leq 21.5V$ $I_{OUT}=50mA$, $T_j=25^{\circ}C$ | 58 | 74 | - | dB | |
| Dropout Voltage | V_D | 1 | $I_{OUT}=1.0A$, $T_j=25^{\circ}C$ | - | 2.0 | - | V | |
| Short Circuit Current Limit | I_{SC} | 1 | $T_j=25^{\circ}C$ | - | 1.1 | - | A | |
| Average Temperature Coefficient of Output Voltage | TC_{VO} | 1 | $I_{OUT}=5mA$, $0^{\circ}C \leq T_j \leq 125^{\circ}C$ | - | -1.0 | - | mV/ $^{\circ}C$ | |

KIA7805AP/API~KIA7824AP/API

KIA7809AP/API

ELECTRICAL CHARACTERISTICS ($V_{IN}=15V$, $I_{OUT}=500mA$, $0^{\circ}C \leq T_j \leq 125^{\circ}C$)

| CHARACTERISTIC | SYMBOL | TEST CIRCUIT | TEST CONDITION | MIN. | TYP. | MAX. | UNIT | |
|---|--------------|--------------|--|---------------------------------|------|------|-----------------|----|
| Output Voltage | V_{OUT} | 1 | $T_j=25^{\circ}C$, $I_{OUT}=100mA$ | 8.64 | 9.0 | 9.36 | V | |
| Input Regulation | Reg line | 1 | $T_j=25^{\circ}C$ | $11.5V \leq V_{IN} \leq 26V$ | - | 7.0 | 180 | mV |
| | | | | $13V \leq V_{IN} \leq 19V$ | - | 2.5 | 90 | |
| Load Regulation | Reg load | 1 | $T_j=25^{\circ}C$ | $5mA \leq I_{OUT} \leq 1.4A$ | - | 12 | 180 | mV |
| | | | | $250mA \leq I_{OUT} \leq 750mA$ | - | 4.0 | 90 | |
| Output Voltage | V_{OUT} | 1 | $11.5V \leq V_{IN} \leq 26V$ $5.0mA \leq I_{OUT} \leq 1.0A$, $P_o \leq 15W$ | 8.55 | - | 9.45 | V | |
| Quiescent Current | I_B | 1 | $T_j=25^{\circ}C$, $I_{OUT}=5mA$ | - | 4.3 | 8.0 | mA | |
| Quiescent Current Change | ΔI_B | 1 | $11.5V \leq V_{IN} \leq 26V$ | - | - | 1.0 | mA | |
| Output Noise Voltage | V_{NO} | 1 | $T_a=25^{\circ}C$, $10Hz \leq f \leq 100kHz$ $I_{OUT}=50mA$ | - | 75 | - | μV_{rms} | |
| Ripple Rejection Ratio | RR | 1 | $f=120Hz$, $12.5V \leq V_{IN} \leq 22.5V$ $I_{OUT}=50mA$, $T_j=25^{\circ}C$ | 56 | 72 | - | dB | |
| Dropout Voltage | V_D | 1 | $I_{OUT}=1.0A$, $T_j=25^{\circ}C$ | - | 2.0 | - | V | |
| Short Circuit Current Limit | I_{sc} | 1 | $T_j=25^{\circ}C$ | - | 1.0 | - | A | |
| Average Temperature Coefficient of Output Voltage | TC_{VO} | 1 | $I_{OUT}=5mA$, $0^{\circ}C \leq T_j \leq 125^{\circ}C$ | - | -1.1 | - | mV/ $^{\circ}C$ | |

KIA7805AP/API ~ KIA7824AP/API

KIA7810AP/API

ELECTRICAL CHARACTERISTICS ($V_{IN}=16V$, $I_{OUT}=500mA$, $0^{\circ}C \leq T_j \leq 125^{\circ}C$)

| CHARACTERISTIC | SYMBOL | TEST CIRCUIT | TEST CONDITION | MIN. | TYP. | MAX. | UNIT | |
|---|--------------|--------------|--|---------------------------------|------|------|-----------------|----|
| Output Voltage | V_{OUT} | 1 | $T_j=25^{\circ}C$, $I_{OUT}=100mA$ | 9.6 | 10.0 | 10.4 | V | |
| Input Regulation | Reg line | 1 | $T_j=25^{\circ}C$ | $12.5V \leq V_{IN} \leq 27V$ | - | 8 | 200 | mV |
| | | | | $14V \leq V_{IN} \leq 20V$ | - | 2.5 | 100 | |
| Load Regulation | Reg load | 1 | $T_j=25^{\circ}C$ | $5mA \leq I_{OUT} \leq 1.4A$ | - | 12 | 200 | mV |
| | | | | $250mA \leq I_{OUT} \leq 750mA$ | - | 4 | 100 | |
| Output Voltage | V_{OUT} | 1 | $12.5V \leq V_{IN} \leq 25V$ $5.0mA \leq I_{OUT} \leq 1.0A$, $P_o \leq 15W$ | 9.5 | - | 10.5 | V | |
| Quiescent Current | I_B | 1 | $T_j=25^{\circ}C$, $I_{OUT}=5mA$ | - | 4.3 | 8.0 | mA | |
| Quiescent Current Change | ΔI_B | 1 | $12.5V \leq V_{IN} \leq 27V$ | - | - | 1.0 | mA | |
| Output Noise Voltage | V_{NO} | 1 | $T_a=25^{\circ}C$, $10Hz \leq f \leq 100kHz$ $I_{OUT}=50mA$ | - | 80 | - | μV_{rms} | |
| Ripple Rejection Ratio | RR | 1 | $f=120Hz$, $13.5V \leq V_{IN} \leq 23.5V$ $I_{OUT}=50mA$, $T_j=25^{\circ}C$ | 55 | 72 | - | dB | |
| Dropout Voltage | V_D | 1 | $I_{OUT}=1.0A$, $T_j=25^{\circ}C$ | - | 2.0 | - | V | |
| Short Circuit Current Limit | I_{SC} | 1 | $T_j=25^{\circ}C$ | - | 0.9 | - | A | |
| Average Temperature Coefficient of Output Voltage | TC_{VO} | 1 | $I_{OUT}=5mA$, $0^{\circ}C \leq T_j \leq 125^{\circ}C$ | - | -1.3 | - | mV/ $^{\circ}C$ | |

KIA7805AP/API~KIA7824AP/API

KIA7812AP/API

ELECTRICAL CHARACTERISTICS ($V_{IN}=19V$, $I_{OUT}=500mA$, $0^{\circ}C \leq T_j \leq 125^{\circ}C$)

| CHARACTERISTIC | SYMBOL | TEST CIRCUIT | TEST CONDITION | MIN. | TYP. | MAX. | UNIT | |
|---|--------------|--------------|---|---------------------------------|------|------|-----------------|----|
| Output Voltage | V_{OUT} | 1 | $T_j=25^{\circ}C$, $I_{OUT}=100mA$ | 11.5 | 12.0 | 12.5 | V | |
| Input Regulation | Reg line | 1 | $T_j=25^{\circ}C$ | $14.5V \leq V_{IN} \leq 30V$ | - | 10 | 240 | mV |
| | | | | $16V \leq V_{IN} \leq 22V$ | - | 3 | 120 | |
| Load Regulation | Reg load | 1 | $T_j=25^{\circ}C$ | $5mA \leq I_{OUT} \leq 1.4A$ | - | 12 | 240 | mV |
| | | | | $250mA \leq I_{OUT} \leq 750mA$ | - | 4 | 120 | |
| Output Voltage | V_{OUT} | 1 | $14.5V \leq V_{IN} \leq 27V$ $5.0mA \leq I_{OUT} \leq 1.0A$, $P_o \leq 15W$ | 11.4 | - | 12.6 | V | |
| Quiescent Current | I_B | 1 | $T_j=25^{\circ}C$, $I_{OUT}=5mA$ | - | 4.3 | 8.0 | mA | |
| Quiescent Current Change | ΔI_B | 1 | $14.5V \leq V_{IN} \leq 30V$ | - | - | 1.0 | mA | |
| Output Noise Voltage | V_{NO} | 1 | $T_a=25^{\circ}C$, $10Hz \leq f \leq 100kHz$ $I_{OUT}=50mA$ | - | 90 | - | μV_{rms} | |
| Ripple Rejection Ratio | RR | 1 | $f=120Hz$, $15V \leq V_{IN} \leq 25V$ $I_{OUT}=50mA$, $T_j=25^{\circ}C$ | 55 | 71 | - | dB | |
| Dropout Voltage | V_D | 1 | $I_{OUT}=1.0A$, $T_j=25^{\circ}C$ | - | 2.0 | - | V | |
| Short Circuit Current Limit | I_{SC} | 1 | $T_j=25^{\circ}C$ | - | 0.7 | - | A | |
| Average Temperature Coefficient of Output Voltage | TC_{VO} | 1 | $I_{OUT}=5mA$, $0^{\circ}C \leq T_j \leq 125^{\circ}C$ | - | -1.6 | - | mV/ $^{\circ}C$ | |

KIA7805AP/API ~ KIA7824AP/API

KIA7815AP/API

ELECTRICAL CHARACTERISTICS ($V_{IN}=23V$, $I_{OUT}=500mA$, $0^{\circ}C \leq T_j \leq 125^{\circ}C$)

| CHARACTERISTIC | SYMBOL | TEST CIRCUIT | TEST CONDITION | MIN. | TYP. | MAX. | UNIT | |
|---|--------------|--------------|--|---------------------------------|------|-------|-----------------|----|
| Output Voltage | V_{OUT} | 1 | $T_j=25^{\circ}C$, $I_{OUT}=100mA$ | 14.4 | 15.0 | 15.6 | V | |
| Input Regulation | Reg line | 1 | $T_j=25^{\circ}C$ | $17.5V \leq V_{IN} \leq 30V$ | - | 11 | 300 | mV |
| | | | | $20V \leq V_{IN} \leq 26V$ | - | 3 | 150 | |
| Load Regulation | Reg load | 1 | $T_j=25^{\circ}C$ | $5mA \leq I_{OUT} \leq 1.4A$ | - | 12 | 300 | mV |
| | | | | $250mA \leq I_{OUT} \leq 750mA$ | - | 4 | 150 | |
| Output Voltage | V_{OUT} | 1 | $17.5V \leq V_{IN} \leq 30V$ $5.0mA \leq I_{OUT} \leq 1.0A$, $P_o \leq 15W$ | 14.25 | - | 15.75 | V | |
| Quiescent Current | I_B | 1 | $T_j=25^{\circ}C$, $I_{OUT}=5mA$ | - | 4.4 | 8.0 | mA | |
| Quiescent Current Change | ΔI_B | 1 | $17.5V \leq V_{IN} \leq 30V$ | - | - | 1.0 | mA | |
| Output Noise Voltage | V_{NO} | 1 | $T_a=25^{\circ}C$, $10Hz \leq f \leq 100kHz$ $I_{OUT}=50mA$ | - | 110 | - | μV_{rms} | |
| Ripple Rejection Ratio | RR | 1 | $f=120Hz$, $18.5V \leq V_{IN} \leq 28.5V$ $I_{OUT}=50mA$, $T_j=25^{\circ}C$ | 54 | 70 | - | dB | |
| Dropout Voltage | V_D | 1 | $I_{OUT}=1.0A$, $T_j=25^{\circ}C$ | - | 2.0 | - | V | |
| Short Circuit Current Limit | I_{SC} | 1 | $T_j=25^{\circ}C$ | - | 0.5 | - | A | |
| Average Temperature Coefficient of Output Voltage | TC_{VO} | 1 | $I_{OUT}=5mA$, $0^{\circ}C \leq T_j \leq 125^{\circ}C$ | - | -2.0 | - | mV/ $^{\circ}C$ | |

KIA7805AP/API ~ KIA7824AP/API

KIA7818AP/API

ELECTRICAL CHARACTERISTICS ($V_{IN}=27V$, $I_{OUT}=500mA$, $0^{\circ}C \leq T_j \leq 125^{\circ}C$)

| CHARACTERISTIC | SYMBOL | TEST CIRCUIT | TEST CONDITION | MIN. | TYP. | MAX. | UNIT | |
|---|--------------|--------------|---|---------------------------------|------|------|-----------------|----|
| Output Voltage | V_{OUT} | 1 | $T_j=25^{\circ}C$, $I_{OUT}=100mA$ | 17.3 | 18.0 | 18.7 | V | |
| Input Regulation | Reg line | 1 | $T_j=25^{\circ}C$ | $21V \leq V_{IN} \leq 33V$ | - | 13 | 360 | mV |
| | | | | $24V \leq V_{IN} \leq 30V$ | - | 4 | 180 | |
| Load Regulation | Reg load | 1 | $T_j=25^{\circ}C$ | $5mA \leq I_{OUT} \leq 1.4A$ | - | 12 | 360 | mV |
| | | | | $250mA \leq I_{OUT} \leq 750mA$ | - | 4 | 180 | |
| Output Voltage | V_{OUT} | 1 | $21V \leq V_{IN} \leq 33V$, $5.0mA \leq I_{OUT} \leq 1.0A$, $P_o \leq 15W$ | 17.1 | - | 18.9 | V | |
| Quiescent Current | I_B | 1 | $T_j=25^{\circ}C$, $I_{OUT}=5mA$ | - | 4.5 | 8.0 | mA | |
| Quiescent Current Change | ΔI_B | 1 | $21V \leq V_{IN} \leq 33V$ | - | - | 1.0 | mA | |
| Output Noise Voltage | V_{NO} | 1 | $T_a=25^{\circ}C$, $10Hz \leq f \leq 100kHz$, $I_{OUT}=50mA$ | - | 125 | - | μV_{rms} | |
| Ripple Rejection Ratio | RR | 1 | $f=120Hz$, $22V \leq V_{IN} \leq 32V$ $I_{OUT}=50mA$, $T_j=25^{\circ}C$ | 52 | 68 | - | dB | |
| Dropout Voltage | V_D | 1 | $I_{OUT}=1.0A$, $T_j=25^{\circ}C$ | - | 2.0 | - | V | |
| Short Circuit Current Limit | I_{SC} | 1 | $T_j=25^{\circ}C$ | - | 0.4 | - | A | |
| Average Temperature Coefficient of Output Voltage | TC_{VO} | 1 | $I_{OUT}=5mA$, $0^{\circ}C \leq T_j \leq 125^{\circ}C$ | - | -2.5 | - | mV/ $^{\circ}C$ | |

KIA7805AP/API~KIA7824AP/API

KIA7820AP/API

ELECTRICAL CHARACTERISTICS ($V_{IN}=29V$, $I_{OUT}=500mA$, $0^{\circ}C \leq T_j \leq 125^{\circ}C$)

| CHARACTERISTIC | SYMBOL | TEST CIRCUIT | TEST CONDITION | MIN. | TYP. | MAX. | UNIT | |
|---|--------------|--------------|--|---------------------------------|------|------|-----------------|----|
| Output Voltage | V_{OUT} | 1 | $T_j=25^{\circ}C$, $I_{OUT}=100mA$ | 19.2 | 20.0 | 20.8 | V | |
| Input Regulation | Reg line | 1 | $T_j=25^{\circ}C$ | $23V \leq V_{IN} \leq 35V$ | - | 15 | 400 | mV |
| | | | | $26V \leq V_{IN} \leq 32V$ | - | 5 | 200 | |
| Load Regulation | Reg load | 1 | $T_j=25^{\circ}C$ | $5mA \leq I_{OUT} \leq 1.4A$ | - | 12 | 400 | mV |
| | | | | $250mA \leq I_{OUT} \leq 750mA$ | - | 4 | 200 | |
| Output Voltage | V_{OUT} | 1 | $23V \leq V_{IN} \leq 35V$ $5.0mA \leq I_{OUT} \leq 1.0A$, $P_o \leq 15W$ | 19.0 | - | 21.0 | V | |
| Quiescent Current | I_B | 1 | $T_j=25^{\circ}C$, $I_{OUT}=5mA$ | - | 4.6 | 8.0 | mA | |
| Quiescent Current Change | ΔI_B | 1 | $23V \leq V_{IN} \leq 35V$ | - | - | 1.0 | mA | |
| Output Noise Voltage | V_{NO} | 1 | $T_a=25^{\circ}C$, $10Hz \leq f \leq 100kHz$ $I_{OUT}=50mA$ | - | 135 | - | μV_{rms} | |
| Ripple Rejection Ratio | RR | 1 | $f=120Hz$, $24V \leq V_{IN} \leq 34V$, $I_{OUT}=50mA$, $T_j=25^{\circ}C$ | 50 | 66 | - | dB | |
| Dropout Voltage | V_D | 1 | $I_{OUT}=1.0A$, $T_j=25^{\circ}C$ | - | 2.0 | - | V | |
| Short Circuit Current Limit | I_{sc} | 1 | $T_j=25^{\circ}C$ | - | 0.4 | - | A | |
| Average Temperature Coefficient of Output Voltage | TC_{VO} | 1 | $I_{OUT}=5mA$, $0^{\circ}C \leq T_j \leq 125^{\circ}C$ | - | -3.0 | - | mV/ $^{\circ}C$ | |

KIA7805AP/API ~ KIA7824AP/API

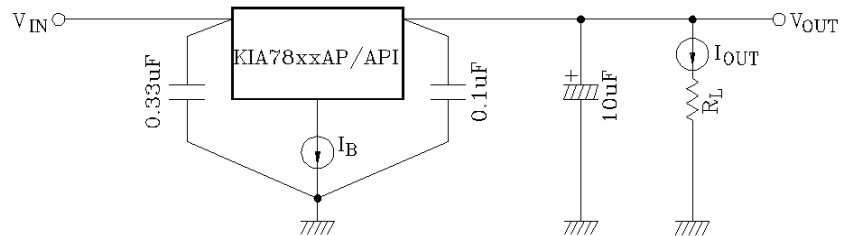
KIA7824AP/API

ELECTRICAL CHARACTERISTICS ($V_{IN}=33V$, $I_{OUT}=500mA$, $0^{\circ}C \leq T_j \leq 125^{\circ}C$)

| CHARACTERISTIC | SYMBOL | TEST CIRCUIT | TEST CONDITION | MIN. | TYP. | MAX. | UNIT | |
|---|--------------|--------------|---|---------------------------------|------|------|-----------------|----|
| Output Voltage | V_{OUT} | 1 | $T_j=25^{\circ}C$, $I_{OUT}=100mA$ | 23.0 | 24.0 | 25.0 | V | |
| Input Regulation | Reg line | 1 | $T_j=25^{\circ}C$ | $27V \leq V_{IN} \leq 38V$ | - | 18 | 480 | mV |
| | | | | $30V \leq V_{IN} \leq 36V$ | - | 6 | 240 | |
| Load Regulation | Reg load | 1 | $T_j=25^{\circ}C$ | $5mA \leq I_{OUT} \leq 1.4A$ | - | 12 | 480 | mV |
| | | | | $250mA \leq I_{OUT} \leq 750mA$ | - | 4 | 240 | |
| Output Voltage | V_{OUT} | 1 | $27V \leq V_{IN} \leq 38V$, $5.0mA \leq I_{OUT} \leq 1.0A$, $P_o \leq 15W$ | 22.8 | - | 25.2 | V | |
| Quiescent Current | I_B | 1 | $T_j=25^{\circ}C$, $I_{OUT}=5mA$ | - | 4.6 | 8.0 | mA | |
| Quiescent Current Change | ΔI_B | 1 | $27V \leq V_{IN} \leq 38V$ | - | - | 1.0 | mA | |
| Output Noise Voltage | V_{NO} | 1 | $T_a=25^{\circ}C$, $10Hz \leq f \leq 100kHz$ $I_{OUT}=50mA$ | - | 150 | - | μV_{rms} | |
| Ripple Rejection Ratio | RR | 1 | $f=120Hz$, $28V \leq V_{IN} \leq 38V$ $I_{OUT}=50mA$, $T_j=25^{\circ}C$ | 50 | 66 | - | dB | |
| Dropout Voltage | V_D | 1 | $I_{OUT}=1.0A$, $T_j=25^{\circ}C$ | - | 2.0 | - | V | |
| Short Circuit Current | I_{SC} | 1 | $T_j=25^{\circ}C$ | - | 0.3 | - | A | |
| Average Temperature Coefficient of Output Voltage | TC_{VO} | 1 | $I_{OUT}=5mA$, $0^{\circ}C \leq T_j \leq 125^{\circ}C$ | - | -3.5 | - | mV/ $^{\circ}C$ | |

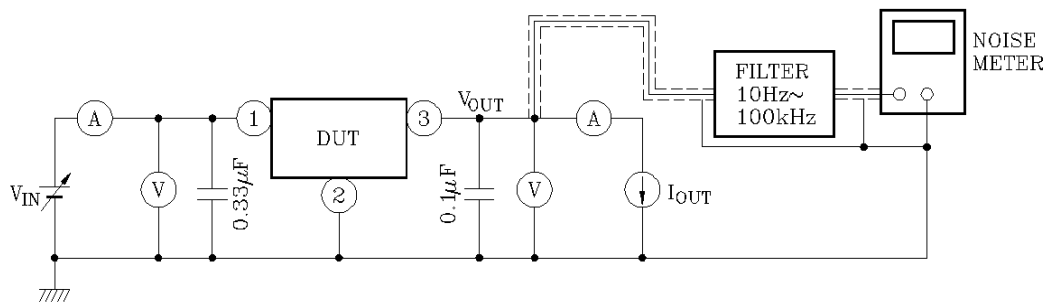
KIA7805AP/API ~ KIA7824AP/API

TEST CIRCUIT1/STANDARD APPLICATION CIRCUIT

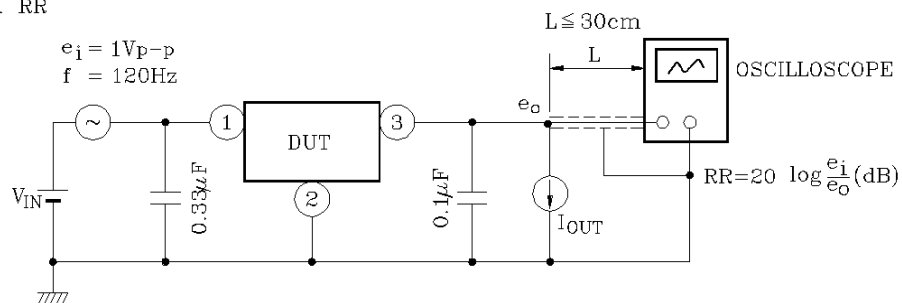


TEST CIRCUIT

1. V_{OUT} , $R_{reg \cdot line}$, $R_{reg \cdot load}$, V_{OUT} , I_B , ΔI_B , V_{NO} , $\Delta V_{OUT} / \Delta t$, $|V_{IN} - V_{OUT}|$, TC_{VO}



2. RR

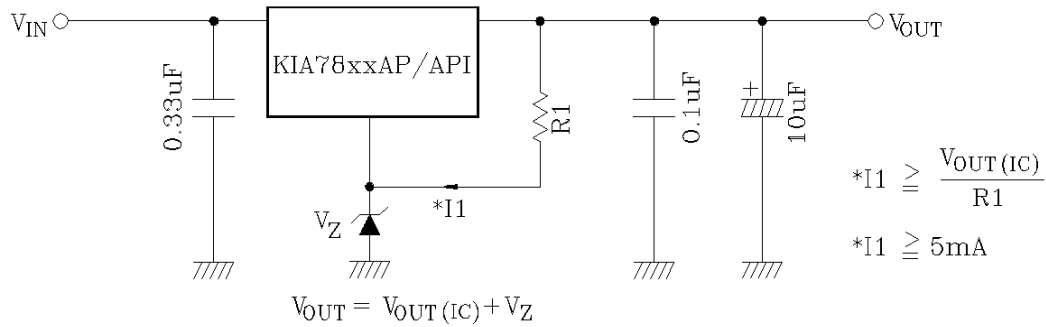


KIA7805AP/API ~ KIA7824AP/API

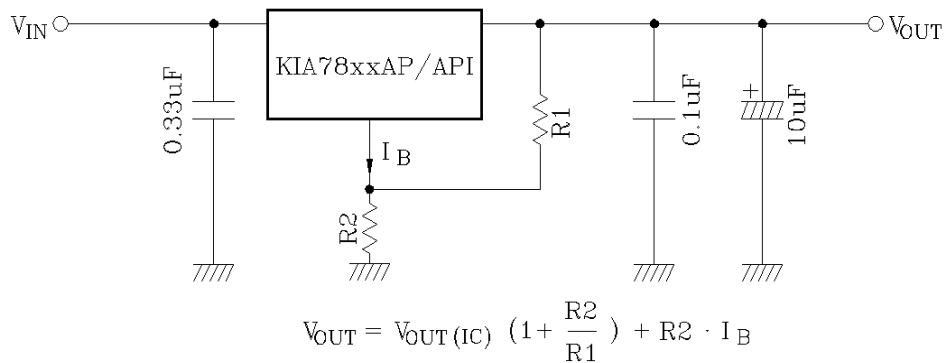
APPLICATION CIRCUIT

(1) VOLTAGE BOOST REGULATOR

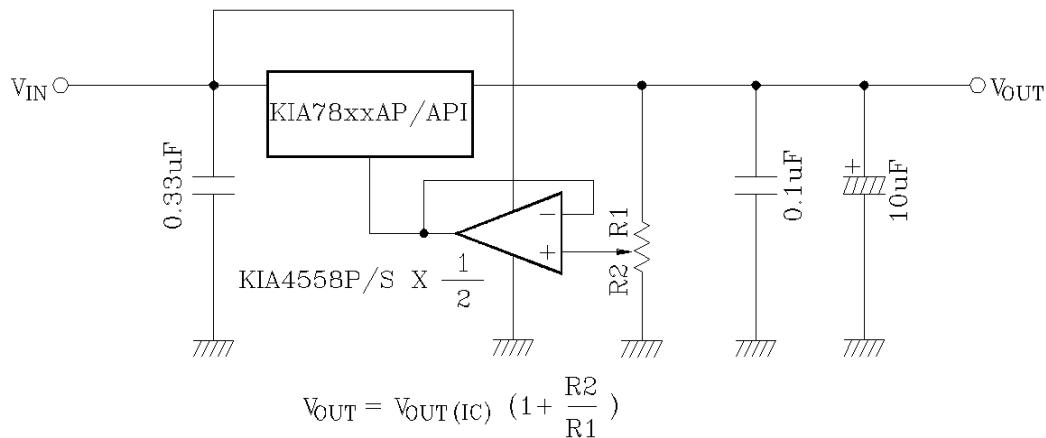
(a) Voltage boost by use of zener diode



(b) Voltage boost by use of resistor

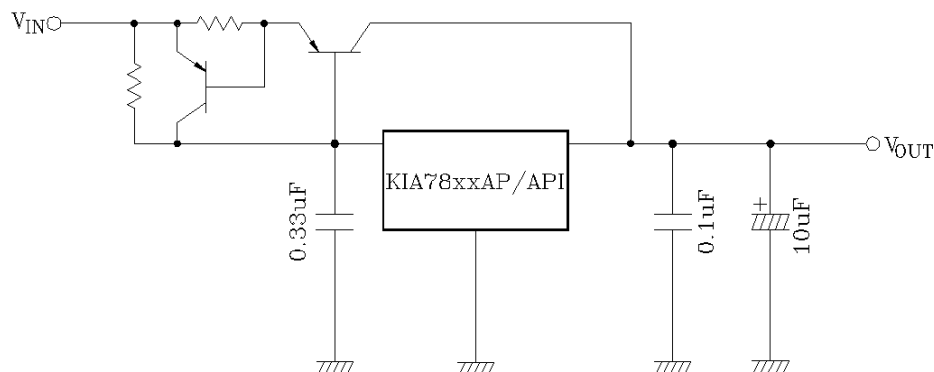


(c) Adjustable output regulator



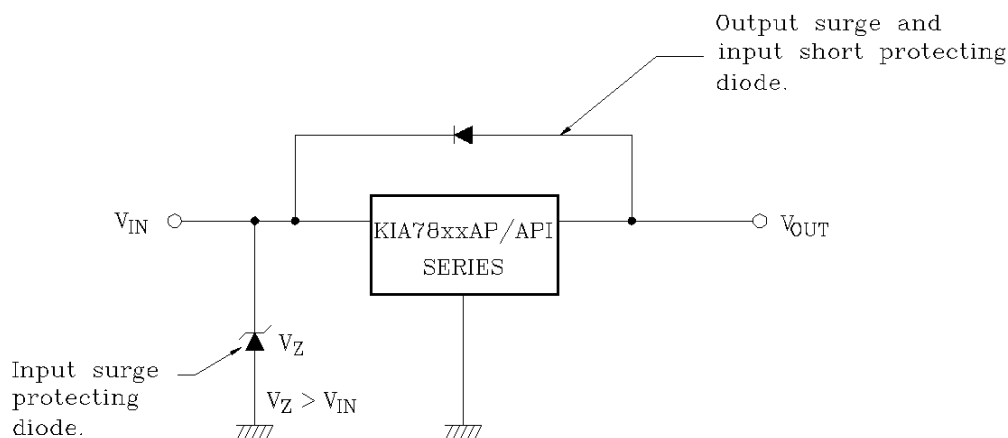
KIA7805AP/API~KIA7824AP/API

(2) CURRENT BOOST REGULATOR



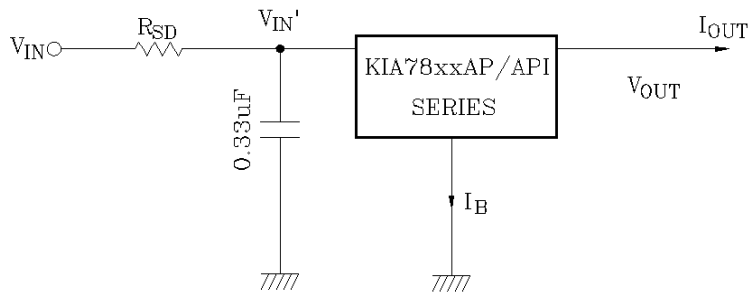
PRECAUTIONS ON APPLICATION

- (1) In regard to GND, be careful not to apply a negative voltage to the input/output terminal. Further, special care is necessary in case of a voltage boost application.
- (2) When a surge voltage exceeding maximum rating is applied to the input terminal or when a voltage in excess of the input terminal voltage is applied to the output terminal, the circuit may be destroyed. Specially, in the latter case, great care is necessary. Further, if the input terminal shorts to GND in a state of normal operation, the output terminal voltage becomes higher than the input voltage (GND potential), and the electric charge of a chemical capacitor connected to the output terminal flows into the input side, which may cause the destruction of circuit. In these cases, take such steps as a zener diode and a general silicon diode are connected to the circuit, as shown in the following figure.



- (3) When the input voltage is too high, the power dissipation of three terminal regulator increase because of series regulator, so that the junction temperature rises. In such a case, it is recommended to reduce the power dissipation by inserting the power limiting resistor R_{SD} in the input terminal, and to reduce the junction temperature as a result.

KIA7805AP/API~KIA7824AP/API



The power dissipation P_D of IC is expressed in the following equation.

$$P_D = (V_{IN'} - V_{OUT}) \cdot I_{OUT} + V_{IN'} \cdot I_B$$

If $V_{IN'}$ is reduced below the lowest voltage necessary for the IC, the parasitic oscillation will be caused according to circumstances.

In determining the resistance value of R_{SD} , design with margin should be made by making reference to the following equation.

$$R_{SD} < \frac{V_{IN} - V_{IN'}}{I_{OUT} + I_B}$$

- (4) Connect the input terminal and GND, and the output terminal and GND, by capacitor respectively. The capacitances should be determined experimentally because they depend on printed patterns. In particular, adequate investigation should be made so that there is no problem even at time of high or low temperature.

- (5) Installation of IC for power supply

For obtaining high reliability on the heat sink design of the regulator IC, it is generally required to derate more than 20% of maximum junction temperature (T_j MAX.) Further, full consideration should be given to the installation of IC to the heat sink.

- (a) Heat sink design

The thermal resistance of IC itself is required from the viewpoint of the design of elements, but the thermal resistance from the IC package to the open air varies with the contact thermal resistance.

Table 1 shows how much the value of the contact thermal resistance ($\theta_c + \theta_s$) is changed by insulating sheet (mica) and heat sink grease.

TABLE 1.

UNIT: °C/W

| PACKAGE | MODEL NO. | TORQUE | MICA | $\theta_c + \theta_s$ |
|----------|-----------|--------|--------------|-----------------------|
| TO-220AB | KIA78xxAP | 6kg·cm | Not Provided | 0.3~0.5(1.5~2.0) |
| | | | Provided | 2.0~2.5(4.0~6.0) |

The figures given in parentheses denote the values at time of no grease.

The package of regulator IC serves as GND, therefore, usually use the value at time of "no mica"

KIA7805AP/API~KIA7824AP/API

(b) Silicon grease

When a circuit not exceeding maximum rating is designed, it is to be desired that the grease should be used if possible. If it is required that the contact thermal resistance is reduced from the view-point of the circuit design, It is recommended that the following methods be adopted.

- A: Use Thercon (Fuji High Polymer Kogyo K.K)
- B: Use SC101 (Torei Silicon) or G-640 (GE), if grease is used.

(c) Torque

When installing IC on a heat sink or the like, tighten the IC with the torque of less than the rated value. If it is tightened with the torque in excess of the rated value, sometimes the internal elements of the IC are adversely affected. Therefore, great care should be given to the installing operation. Further, if polycarbonate screws are used, the torque causes a change with the passage of time, which may lessen the effect of radiation.

(6) IEC (International Electronical Commission)-65 Specification.

(a) IEC (International Electronical Commission)-65 is the standard, parts testing method, machinery and tools (used in connecting main power directly and indirectly) Which are used at home and general building. The purpose of the above standard is not to breaking out the risk which is related to an electric shock, a heating, a fire and the damage of surrounding parts in the case of normal or abnormal operating.

(b) In case temperature is limited by temperature overheating prevention device, fuse or the operation of fuse resistor

One must calculate the temperature of PCB substrate in 2 minute.

$$\Delta T \leq 110^{\circ}\text{C regulated}$$

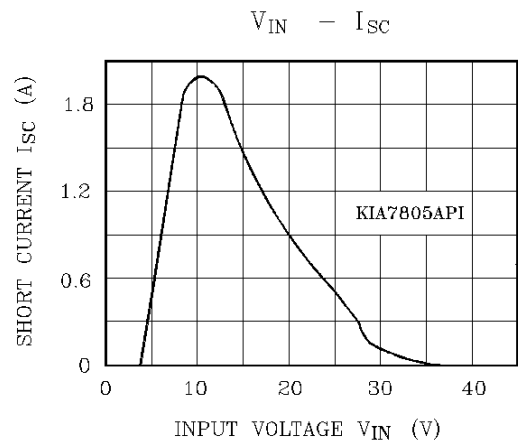
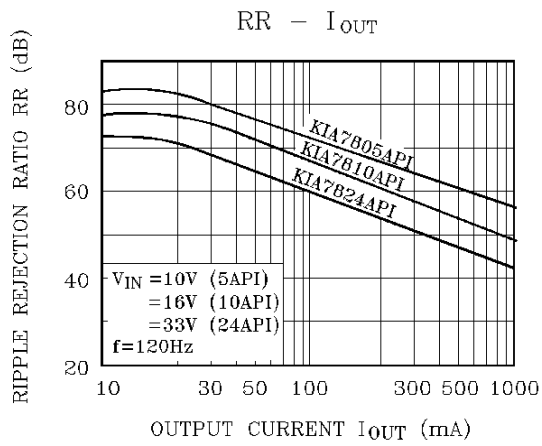
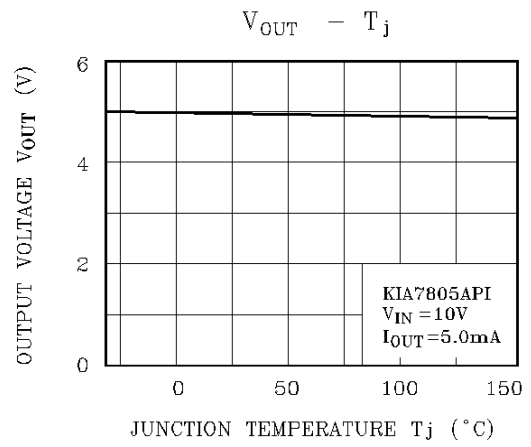
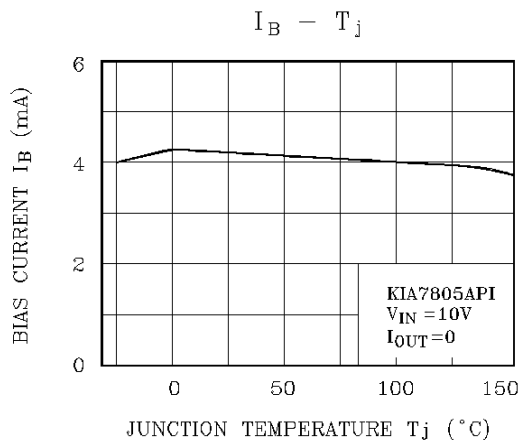
$$\Delta T = T(\text{The PCB substrate temperature in 2 minute}) - T_a(\text{Ambient temperature})$$

(c) Graph

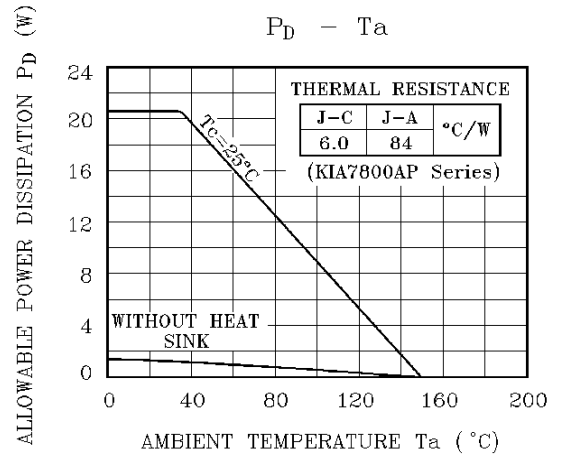
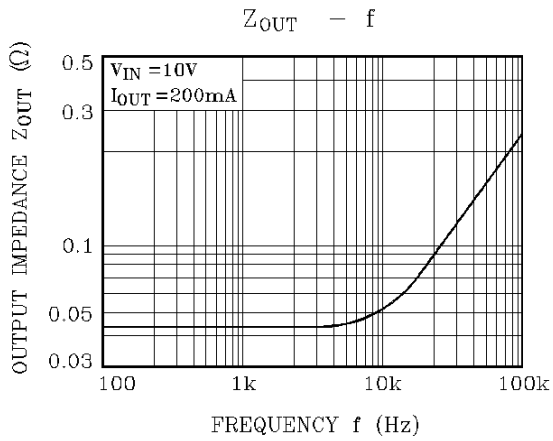
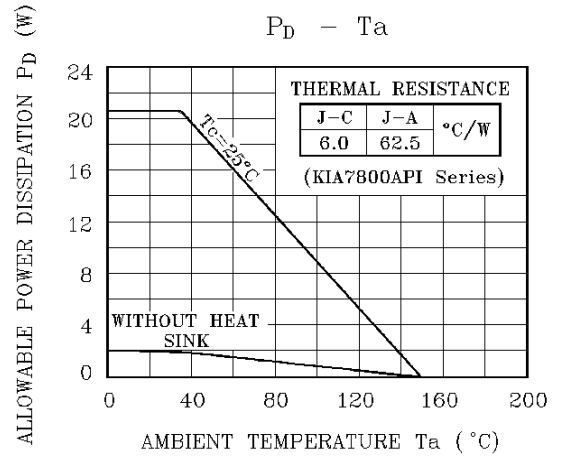
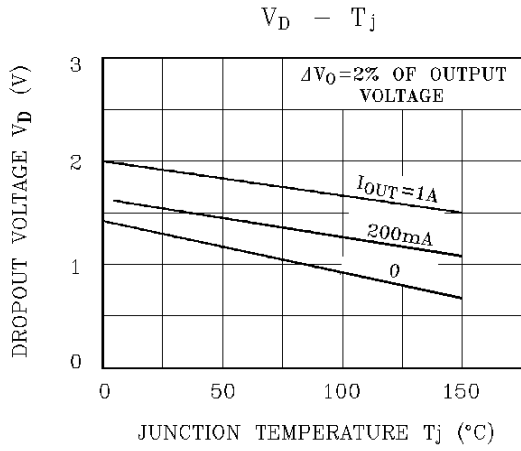


As the territory of the deviant line appear by the heat, as the area is wider, T (The PCB substrate temperature in 2 minute) is becoming high.

KIA7805AP/API ~ KIA7824AP/API



KIA7805AP/API ~ KIA7824AP/API



This datasheet has been downloaded from:

www.DatasheetCatalog.com

Datasheets for electronic components.